



## FW-2000 Motorized Filter Wheel



The FW-2000 is an automated or manually controlled motorized filter wheel that can introduce any one of eight 25.4 mm filters or transmissive windows in series with an optical path. Applications include photography, fluorescence microscopy, and photometry.

The 104 mm filter wheels are easily interchangeable and can accommodate filter/window thicknesses from 1 to 8 millimeters. The clear aperture diameter is 23 mm. The aperture may be rotated continuously through 360 degrees about the motor axis in order to provide the user maximum flexibility in a given optical setup.

The unit may be controlled locally by means of two push buttons (CW, CCW) or remotely by means of the unit's USB 2.0 interface. The current position of the wheel is indicated by a seven segment LED display. Windows™ compatible application software is provided that allows the user to determine status, command selection of any filter and also program a filter sequence to be followed with selectable dwell times.

The unit has numerous provisions for mounting. It may be mounted to a standard optical bench with the base provided or it may be post-mounted using a number of standard threaded posts (8-32, M-3, 1/4-20 or M6).

Operating power is supplied by a wall mount supply that automatically accommodates line voltages of 95 to 260 VAC, 50-60 Hz. Four mains adaptors are supplied to accommodate North American, Continental Europe, British and Australian standards.

### Features:

- 8 Position Filter Wheel
- Local or Remote control
- Houses Filters 1 - 8 mm Thick
- Full 360 Degree Rotation
- Windows Compatible Software
- Easily Interchangeable Wheels

## Terahertz Technologies Inc.

169 Clear Road

Oriskany, New York 13424

Tel: +1 (315) 736-3642

Fax: +1 (315) 736-4078

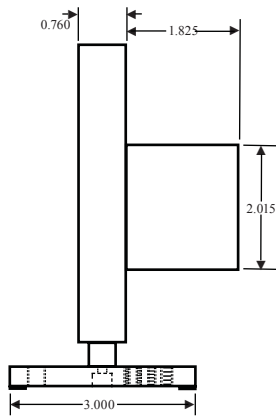
Email: [sales@terahertztechnologies.com](mailto:sales@terahertztechnologies.com)

Web: [www.terahertztechnologies.com](http://www.terahertztechnologies.com)

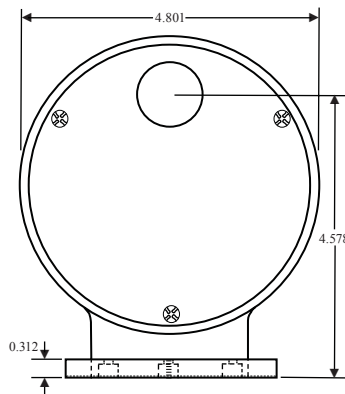
## FW-2000 Specifications

Filter Accepted	Up to eight 1" Dia. windows or filters
Filter Settling Time	< 0.25 sec. to adjacent location, <0.62 sec. to move 4 locations
Aperture Placement	May be rotated 360° about the units axis, may be as close as 42 mm above mounting surface
Display and Controls	7 segment green LED display of position, CW and CCW buttons
Computer Interface	USB 2.0
Power Requirements	<10vA, 95-260VAC, 50-60Hz
Mounting	Thru hole plate for optical bench plus 1/4-20, 8-32, M4 and M6 threaded holes
Mains Connectors Supplied	North America, Continental Europe, Great Britain and Australia
Dimensions (mm)	4.8" Dia., 5.5"H, wheel house 0.75" thick
Weight	1.5 lbs.
Operating Temperature Range	0-40C
Accessories Supplied	Usb Cable, wall mount power supply, 8 retaining rings, manual and application software

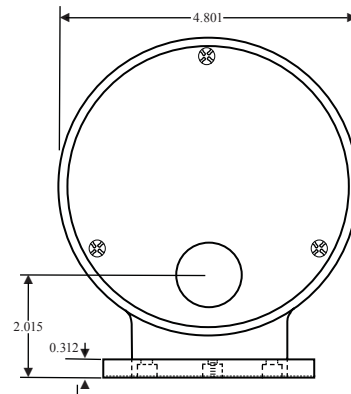
*TTI reserves the right to change specifications without notice*



Side View



Aperture Twelve O'clock Position



Aperture Six O'clock Position



**PHOTO  
TECHNICA**

**フォトテクニカ株式会社**

〒336-0017 埼玉県さいたま市南区南浦和 1-2-17

TEL:048-871-0067 FAX:048-871-0068

e-mail : voc@phototechnica.co.jp

http : //www.phototechnica.co.jp