

NL300 SERIES



NL300 series electro-optically Q-switched nanosecond Nd:YAG lasers produce high energy pulses with 3–6 ns duration. Pulse repetition rate can be selected in range of 10–30 Hz.

NL30×G models are optimized for OPO pumping that requires smooth beam profile without hot spots.

NL30×HT models are designed for maximum energy extraction from the active element. Up to 800 mJ pulse energy can be produced at a 10 Hz pulse repetition rate.

A wide range of harmonic generator modules for generation up to a 5th harmonic is available.

Harmonics generators can be combined with attenuators that allow smooth output energy adjustment without changing other laser parameters, i.e. pulse duration, pulse-to-pulse stability, divergence or beam profile. For a more detailed description of harmonic and attenuator modules please check our harmonic generators selection guide on the page 76.

The extremely compact laser head is approximately 480 mm long and can be fitted into tight spaces. The laser power supply has a 330 × 490 mm footprint. Easy access to the water tank from the back side of the power supply facilitates laser maintenance. Replacement of flashlamp does not require removal of pump chamber from the laser cavity and does not lead to possible misalignment.

The powering unit can be configured with water-to-water or water-to-air heat exchangers. The latter option allows for laser operation without the use of tap water for cooling.

For customer convenience the laser can be controlled via a RS232 or USB port with LabView™ drivers (included) or a user-friendly remote control pad. Both options allow easy control of laser settings.

Compact Flash-Lamp Pumped Q-switched Nd:YAG Lasers

FEATURES

- ▶ Rugged sealed laser cavity
- ▶ Up to **800 mJ** pulse energy
- ▶ Better than 1 % rms pulse energy stability
- ▶ **10–30 Hz** pulse repetition rate
- ▶ **3–6 ns** pulse duration
- ▶ Thermo stabilized second, third, fourth and fifth harmonics generator modules
- ▶ Optional attenuators for fundamental and/or harmonics wavelengths
- ▶ Water-to-water or water-to-air cooling options
- ▶ Replacement of flashlamps without misalignment of laser cavity
- ▶ Remote control via keypad and/or RS232/USB port

APPLICATIONS

- ▶ Material processing
- ▶ OPO, Ti:Sapphire, dye laser pumping
- ▶ Laser spectroscopy
- ▶ Remote sensing

SPECIFICATIONS ¹⁾ (part I)

Model	NL301G ²⁾			NL301HT		
Pulse repetition rate	10 Hz	20 Hz	30 Hz	10 Hz	20 Hz	30 Hz
Pulse energy:						
at 1064 nm	240 mJ	220 mJ	200 mJ	400 mJ	360 mJ	280 mJ
at 532 nm ³⁾	100 mJ	90 mJ	70 mJ	180 mJ	160 mJ	120 mJ
at 355 nm ⁴⁾	70 mJ	60 mJ	40 mJ	120 mJ	110 mJ	65 mJ
at 266 nm ⁵⁾	25 mJ	20 mJ	15 mJ	40 mJ	35 mJ	25 mJ
at 213 nm ⁶⁾	5 mJ	4 mJ	3 mJ	8 mJ	7 mJ	5 mJ
Pulse energy stability (StdDev) ⁷⁾						
at 1064 nm	1 %					
at 532 nm	1.5 %					
at 355 nm	3 %					
at 266 nm	3.5 %					
at 213 nm	6 %					
Power drift ⁸⁾	±2 %					
Pulse duration ⁹⁾	3–6 ns					
Polarization	vertical, >90 %					
Optical pulse jitter ¹⁰⁾	<0.5 ns rms					
Linewidth	<1 cm ⁻¹					
Beam profile ¹¹⁾	Hat-Top in near and near Gaussian in far fields					
Typical beam diameter ¹²⁾	~6 mm					
Beam divergence ¹³⁾	<0.6 mrad					
Beam pointing stability ¹⁴⁾	50 μrad rms					
Beam height	68 mm					

PHYSICAL CHARACTERISTICS

Laser head size (W × L × H)	154 × 475 × 128 mm					
Power supply unit (water cooled version) (W × L × H)	330 × 490 × 585 mm					
Power supply unit (air cooled version) (W × L × H)	330 × 490 × 585 mm	550 × 600 × 680 mm	330 × 490 × 585 mm	550 × 600 × 680 mm		
Harmonic generator unit sizes (W × L × H) ¹⁵⁾	154 × 210 × 128 mm for H300SHC or H300STH units 154 × 160 × 128 mm for H300S or H300ST units 154 × 290 × 128 mm for H300FHC unit					
Umbilical length	2.5 m					

OPERATING REQUIREMENTS

Water consumption (max 20 °C) ¹⁶⁾	< 6 l/min	<10 l/min	<6 l/min	<10 l/min		
Ambient temperature	15–30 °C					
Relative humidity	20–80 % (non-condensing)					
Power requirements ^{17) 18)}	208 or 240 V AC, single phase 50/60 Hz					
Power consumption ¹⁹⁾	<1.8 kVA	<3.4 kVA	<1.8 kVA	<3.4 kVA		

¹⁾ Due to continuous improvement, all specifications are subject to change without notice. The parameters marked typical are not specifications. They are indications of typical performance and will vary with each unit we manufacture. Unless stated otherwise all specifications are measured at 1064 nm.

²⁾ NL301G and NL303G lasers have beam profile optimized for OPO pumping.

³⁾ With H300SH, H300S or H300SHC harmonics generator modules. See harmonics generator selection guide on the page 76 for more detailed information.

⁴⁾ With H300STH and H300ST harmonics generator modules. See harmonics generator selection guide on the page 76 for more detailed information.

⁵⁾ With H300SH and H400FHC harmonics generator modules. See harmonics generator selection guide on the page 76 for more detailed information.

⁶⁾ With H300FiHC harmonics generator module. See harmonics generator selection guide on the page 76 for more detailed information.

⁷⁾ Averaged from 300 pulses.

⁸⁾ Measured over an 8 hour period when ambient temperature variation is less than ± 2 °C.

⁹⁾ FWHM measured with photodiode featuring 500 ps rise time and 300 MHz bandwidth oscilloscope.

¹⁰⁾ Relative to SYNC OUT pulse.

¹¹⁾ Near field Gaussian fit is >70%.

¹²⁾ Beam diameter is measured at 1064 nm at the 1/e² level.

¹³⁾ Full angle measured at the 1/e² level.

¹⁴⁾ RMS value measured from 300 shots.

¹⁵⁾ See harmonics generator selection guide on the page 76 for more detailed information.

¹⁶⁾ For water cooled version. Air cooled version does not require tap water for cooling.

¹⁷⁾ Power requirements should be specified when ordering.

¹⁸⁾ 110 V AC powering is available, please inquiry for details.

¹⁹⁾ Required current rating can be calculated by dividing power value by mains voltage value.

SPECIFICATIONS ¹⁾ (part II)

Model	NL303G ²⁾		NL303HT	
Pulse repetition rate	10 Hz	20 Hz	10 Hz	20 Hz
Pulse energy:				
at 1064 nm	500 mJ	450 mJ	800 mJ	700 mJ
at 532 nm ³⁾	210 mJ	190 mJ	360 mJ	310 mJ
at 355 nm ⁴⁾	135 mJ	120 mJ	240 mJ	210 mJ
at 266 nm ⁵⁾	50 mJ	35 mJ	80 mJ	60 mJ
at 213 nm ⁶⁾	10 mJ	7 mJ	13 mJ	10 mJ
Pulse energy stability (StdDev) ⁷⁾				
at 1064 nm	1 %			
at 532 nm	1.5 %			
at 355 nm	3 %			
at 266 nm	3.5 %			
at 213 nm	6 %			
Power drift ⁸⁾	±2 %			
Pulse duration ⁹⁾	3–6 ns			
Polarization	vertical, >90 %			
Optical pulse jitter ¹⁰⁾	<0.5 ns rms			
Linewidth	<1 cm ⁻¹			
Beam profile ¹¹⁾	Hat-Top in near and near Gaussian in far fields			
Typical beam diameter ¹²⁾	~8 mm			
Beam divergence ¹³⁾	<0.5 mrad			
Beam pointing stability ¹⁴⁾	50 μrad rms			
Beam height	68 mm			

PHYSICAL CHARACTERISTICS				
Laser head size (W × L × H)	154 × 475 × 128 mm			
Power supply unit (water cooled version) (W × L × H)	330 × 490 × 585 mm			
Power supply unit (air cooled version) (W × L × H)	330 × 490 × 585 mm	550 × 600 × 680 mm	330 × 490 × 585 mm	550 × 600 × 680 mm
Harmonic generator unit sizes (W × L × H) ¹⁵⁾	154 × 210 × 128 mm for H300SHC or H300STH units 154 × 160 × 128 mm for H300S or H300ST units 154 × 290 × 128 mm for H300FHC unit			
Umbilical length	2.5 m			

OPERATING REQUIREMENTS				
Water consumption (max 20 °C) ¹⁶⁾	<8 l/min	<12 l/min	<8 l/min	<12 l/min
Ambient temperature	15–30 °C			
Relative humidity	20–80 % (non-condensing)			
Power requirements ^{17) 18)}	208 or 240 V AC, single phase 50/60 Hz			
Power consumption ¹⁹⁾	<1.8 kVA	<3.4 kVA	<1.8 kVA	<3.4 kVA



OPTIONAL HARMONICS GENERATOR AND ATTENUATORS MODULES

The following are suggested optimal configurations of H300 series modules for various output wavelengths:

1. For 2nd harmonics output only: the H300SHC module.
2. For 2nd and 3rd harmonics:
 - a) H300SH+H300S+H300THC – for SH and TH output as specified in the NL300 series brochure.
 - b) H300STH+H300ST – a cost-effective solution not requiring the replacement of modules when changing from a 532 nm to 355 nm beam and vice versa. The 532 nm beam specification will, however, be 15% lower relative to the values in the NL300 series brochure due to extra components in the beam path.
3. For 2nd and 4th harmonics: H300SH+H300S+H300FHC modules.
4. For all harmonics including 4th:
 - a) H300STH+H300ST+H300FHC – a cost-effective solution. The 266 nm and 532 nm beam specifications will be 15% lower relative to the values in the NL300 series brochure.
 - b) H300SH+H300S+H300THC+H300FHC – a slightly more expensive solution with output values adhering to those in the NL300 series brochure.
5. For all harmonics including 5th: modules described in paragraph #4 plus the H300FiHC module.
6. For attenuators for all wavelengths up to the 4th harmonic: H300SH+H300A2+H300TH+H300A3+H300A4 modules.

MODULES SELECTION GUIDE

Module	Description	Output ports	Output pulse energy specifications	Dimensions W×L×H, mm	Extension possible?	Notes
H300SH	Second harmonic generator	Port 1: 1064, 532 nm	N/A	154×160×128	Yes	
H300S	532 nm beam separator	Port 1: 532 nm Port 2: residual 1064 nm	See NL300 specifications for 532 nm beam	154×160×128	No	Should be used with H300SH
H300SHC	Second harmonic generator with 532 nm beam separator	Port 1: 532 nm Port 2: residual 1064 nm	See NL300 specifications for 532 nm beam	154×210×128	No	
H300TH	Third harmonic generator	Port 1: 1064, 532 & 355 nm	N/A	154×160×128	Yes	Should be used with H300SH
H300THC	Third harmonic generator with 355 nm beam separator	Port 1: 355 nm Port 2: residual 1064 & 532 nm	See NL300 specifications for 355 nm beam	154×210×128	No	Should be used with H300SH
H300STH	Second and third harmonics generator	Port 1: 1064, 532 & 355 nm	N/A	154×210×128	Yes	
H300ST	355 nm beam separator	Port 1: 355 nm Port 2: residual 532 nm	See NL300 specifications for 355 nm beam	154×160×128	No	Recommended to use with H300STH
H300FHC	Fourth harmonic generator with 266 nm beam separator	Port 1: 266 nm Port 2: residual 532 nm	See NL300 specifications for 266 nm beam	154×290×128	No	Should be used with H300SH
H300FiHC	Fifth harmonics generator with 213 nm beam separator	Port 1: 213 nm Port 2: residual 1064, 532 & 266 nm	See NL300 specifications for 213 nm beam	154×350×128	No	
H300A1	Attenuator for 1064 nm beam	Port 1: 1064 nm beam	Transmission in 5-90% range at 1064 nm	154×210×128	No	
H300A2	Attenuator and beam separator for 532 nm beam	Port 1: 532 nm Port 2: residual 532 nm	Transmission in 5-90% range at 532 nm	154×210×128	No	Should be used with H300SH
H300A3	Attenuator and beam separator for 355 nm beam	Port 1: 355 nm Port 2: residual 355 nm	Transmission in 5-90% range at 355 nm	154×210×128	No	Should be used with H300TH or H300STH
H300A4	Fourth harmonic generator, beam separator and attenuator for 266 nm beam	Port 1: 266 nm Port 2: residual 266 nm	Transmission in 5-90% range at 266 nm	154×350×128	No	Should be used with H300SH

OPTIONS

- ▶ **Option -AW** – air-cooled power supply option. An adequate air conditioner should be installed in order to keep room temperature stable.
- ▶ **Harmonics generator options** – an extensive selection of harmonics generators up to 5th harmonics.
- ▶ **Attenuator options** allow a smooth change of laser pulse energy, while other laser pulse parameters, such as pulse duration, jitter, pulse-to-pulse stability, beam divergence and profile remain the same.

OUTLINE DRAWINGS

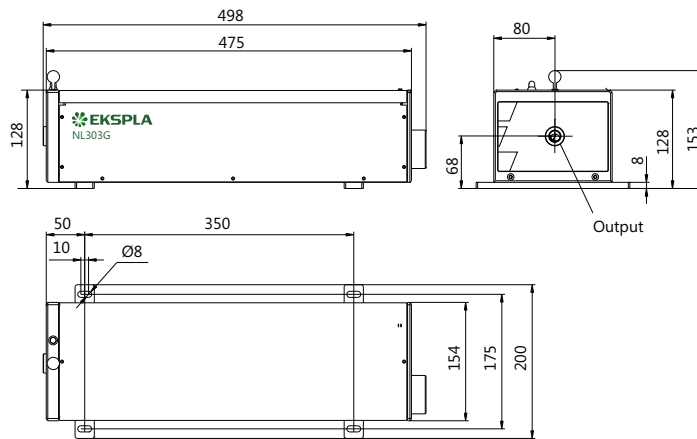
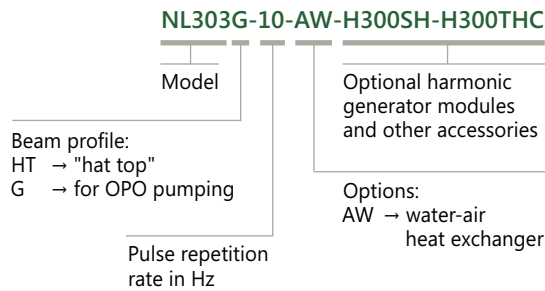


Fig 1. Typical NL300 series laser head outline drawing

ORDERING INFORMATION



www.phototechnica.co.jp
フォトテクニカ株式会社
 〒336-0017 埼玉県さいたま市南区南浦和 1-2-17
 TEL:048-871-0067 FAX:048-871-0068
 e-mail:voc@phototechnica.co.jp