

LightWire FF200

Compact
Femtosecond
Fiber Laser



FEATURES

- ▶ Pulse duration down to 130 fs
- ▶ Up to 200 mW output power
- ▶ Fiber delivery
- ▶ Compact, rugged design
- ▶ Low maintenance

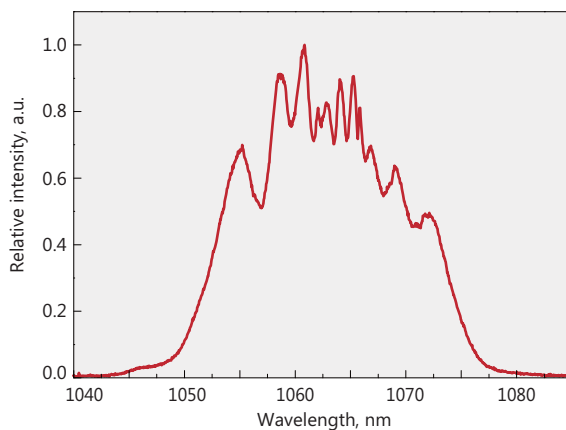
APPLICATIONS

- ▶ Ultrafast spectroscopy
- ▶ Time-domain terahertz spectroscopy

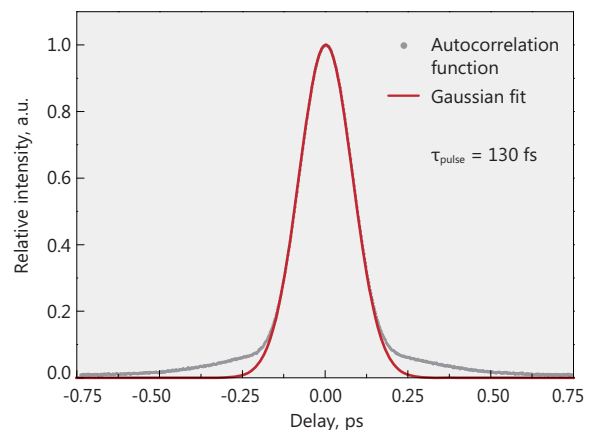
LightWire FF200 is a cost effective turn-key femtosecond fiber laser with fiber delivery of the pulses all the way to your sample. Based on a well-established MOPA scheme,

LightWire FF200 model laser due to its all-in-fiber construction ensures a reliable hands free operation in very compact package.

PERFORMANCE



Typical spectrum from FF200 laser



Typical autocorrelation from FF200 laser

SPECIFICATIONS ¹⁾

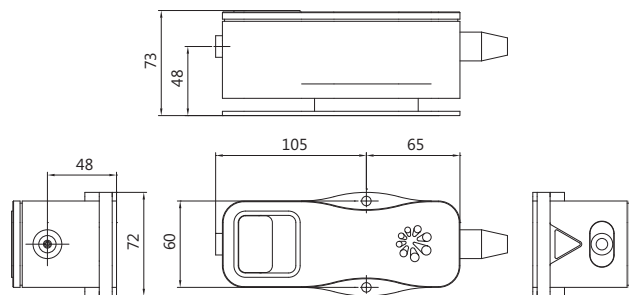
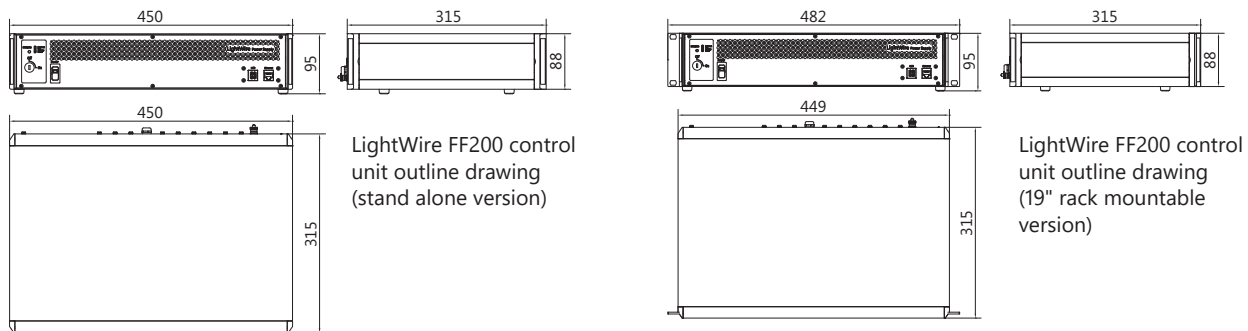
Model	LightWire FF200
Central wavelength	1064 nm
Compressed pulse duration	< 130 fs
Output power	> 200 mW
Oscillator pulse repetition rate	40 ± 2 MHz
Pulse energy	> 5 nJ
Bandwidth (typical)	30 nm
Optical output	FC/PC connector ²⁾ or collimated beam (option)
Umbilical	1.4 m length armored cable Ø5 mm
Beam quality	M ² < 1.5
Pulse train monitoring	photodiode output for oscillator train, TTL synch pulse for laser output (option)
Control interface	USB, CAN, RS232, LAN, (WLAN option)
Dimensions of control unit (L × W × H)	315 × 450 × 95 (stand alone) or 315 × 482 × 95 (19" rack mountable)
Dimensions of collimator unit (L × W × H)	164 × 73 × 75 mm
Weight	< 10 kg
Power supply	100–240 V, 50–60 Hz AC
Power consumption	maximal 230 W (typical 60 W)
Operating conditions	10–30 °C, humidity – not condensing



¹⁾ Due to continuous improvement all specifications are subject to change without notice.

²⁾ The connector is not suitable to connect with single mode fiber.

DRAWINGS



LightWire FF200 laser collimator unit outline drawing

All dimensions are in millimetres.

PHOTO TECHNICA www.phototechnica.co.jp
フォトテクニカ株式会社
 〒336-0017 埼玉県さいたま市南区南浦和 1-2-17
 TEL:048-871-0067 FAX:048-871-0068
 e-mail:voc@phototechnica.co.jp