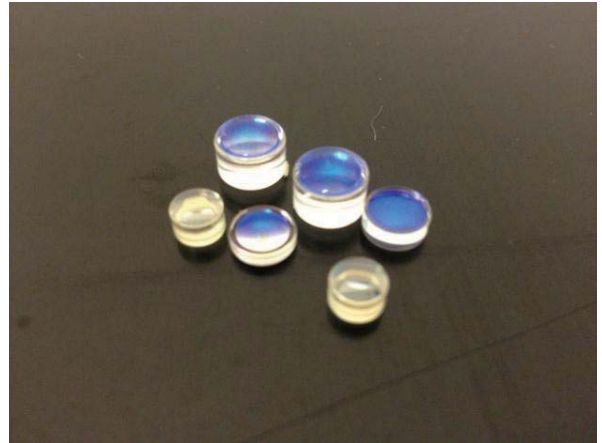
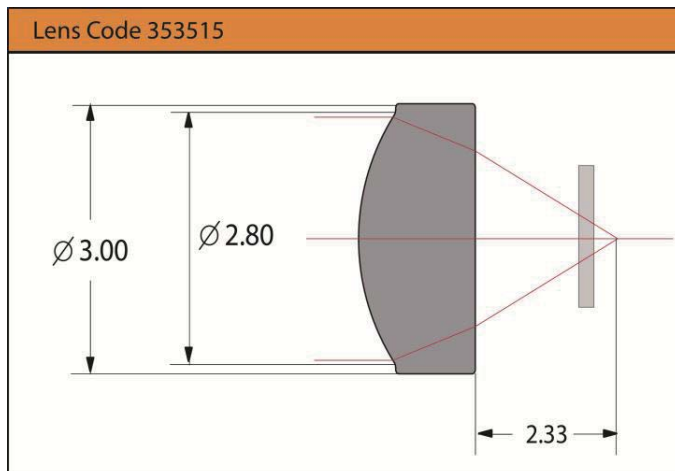


Green Laser Collimating Lenses

- Enhanced to provide high transmission and improved performance
- Optimized for OSRAM[®] Green Diode Lasers
- Aspheric Molded Glass Lens
- Diffraction Limited Performance
- Compact, Single Lens Design

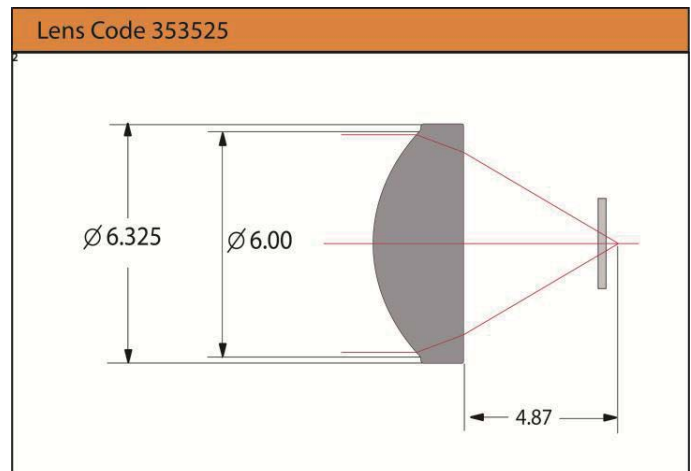


LightPath's new 353515 and 353525 molded glass aspheric lenses are optimized to provide high transmission and improved performance for green diode lasers. Their compact size and diffraction limited performance make them an ideal choice for use in industrial, biomedical, and projection applications.



Optical Design Specifications	
Design Wavelength	515nm
Numerical Aperture (NA)	0.40
Clear Aperture (CA)	2.70mm
Effective Focal Length (EFL)	3.52mm
Magnification	Infinite
Outer Diameter (OD)	3.00mm
Working Distance (WD)	2.33mm
Laser Window Thickness	0.250mm
Laser Window Material/Index	BK7/1.517
RMS Wavefront Error	Diff. Ltd.

Order Nomenclature: 353515-A AR Coating 350-700nm



Optical Design Specifications	
Design Wavelength	515nm
Numerical Aperture (NA)	0.45
Clear Aperture (CA)	5.75mm
Effective Focal Length (EFL)	6.69mm
Magnification	Infinite
Outer Diameter (OD)	6.325mm
Working Distance (WD)	4.87mm
Laser Window Thickness	0.250mm
Laser Window Material/Index	BK7/1.517
RMS Wavefront Error	Diff. Ltd.

Order Nomenclature: 353525-A AR Coating 350-700nm