

# Direct-attach Beam Splitter-Combiner



The Beam Splitter gives you a flexible option for using dual light sources or spectrometers. The small size of the beam splitter allows it to directly mount to the front of any AvaSpec spectrometer or AvaLight lightsource, eliminating the fiber interface. Another advantage is that your existing systems can be easily upgraded to a two channel system.

Being highly adaptable, the Beam Splitter enables easy measurement of two different applications at the same time (for example a fluorescence and a absorption measurement).

## Technical Data

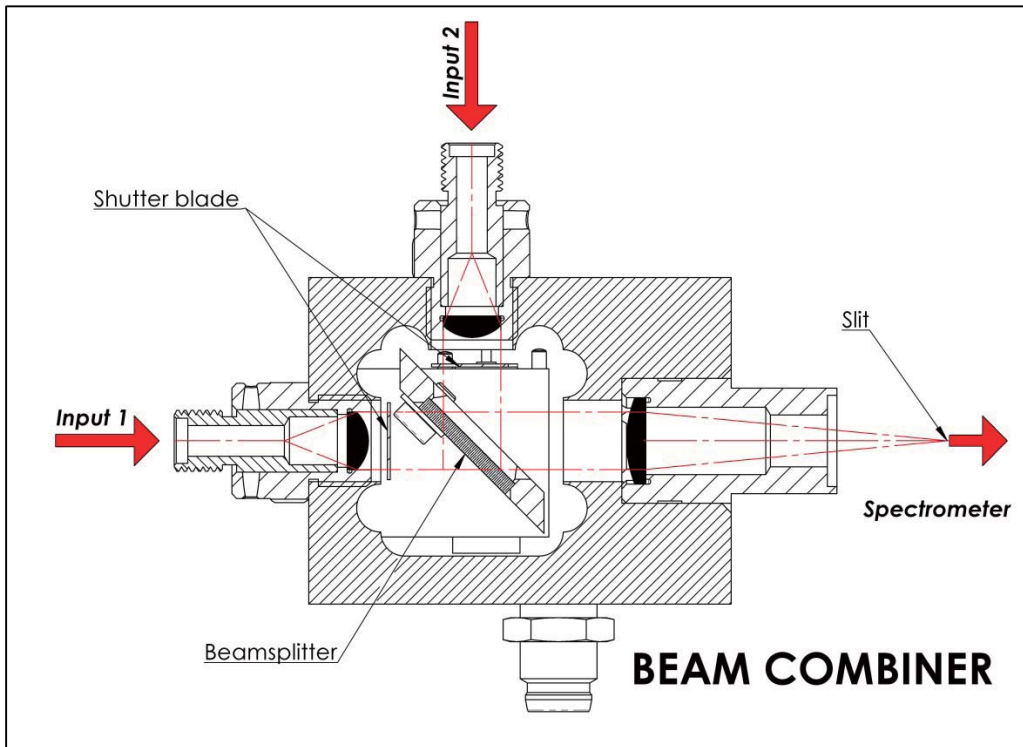
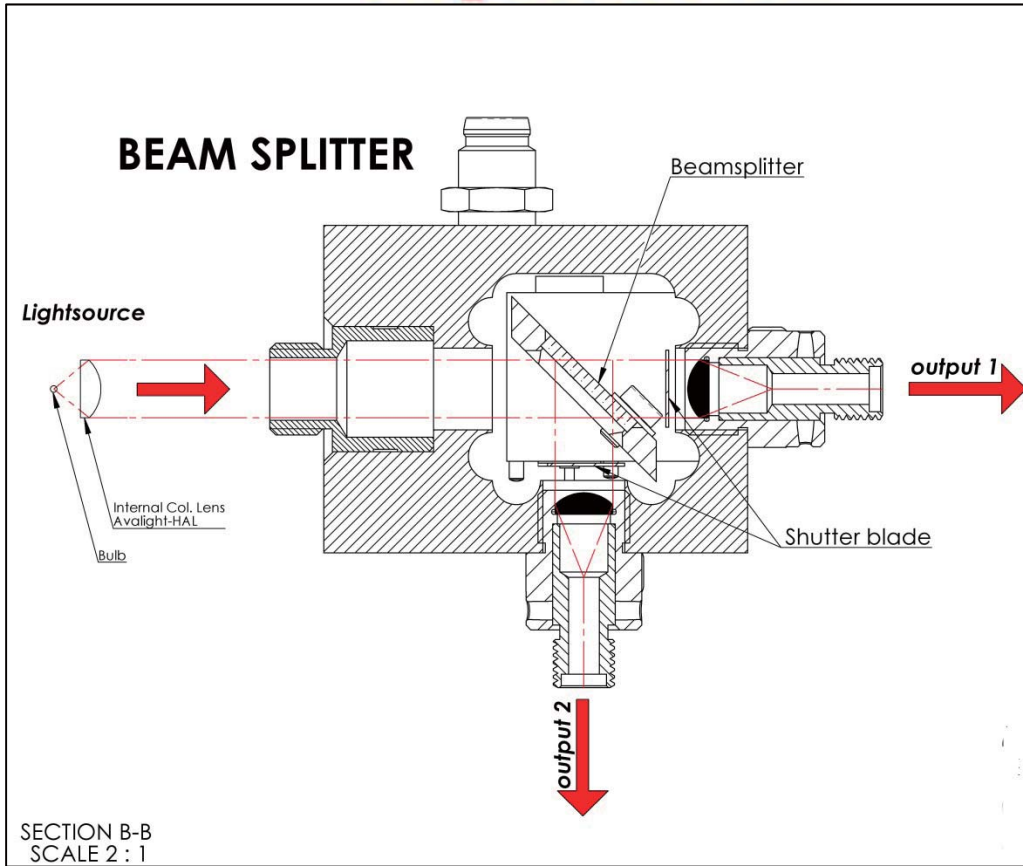
	BSC-DA
<b>Wavelength range</b>	250-2000nm
<b>Throughput</b>	Ca. 25%
<b>Temperature range</b>	0-40 C
<b>Switching time open</b>	15 ms
<b>Switching time close</b>	30 ms
<b>Maximum frequency</b>	10 Hz
<b>Power supply</b>	5VDC, 0.3A (max power 1.5W)
<b>Fiber connection</b>	SMA-905 connector
<b>Material mechanical</b>	Black anodized aluminum
<b>Material optical</b>	UV Fused Silica
<b>Dimensions</b>	44 x 34 x 63 mm *
<b>Weight</b>	184 grams

\* Exclusive COL-UV/VIS and I/O connector

## Ordering Information

<b>BSC-DA</b>	<ul style="list-style-type: none"> <li>• Direct-Attach Beam Splitter / Combiner, includes IC-DB26-BEAM-0.6 (0.6 m interface cable), needs extra PS-5V / 1.1 A power supply</li> </ul>
<b>IC-DB26-BEAM-2</b>	<ul style="list-style-type: none"> <li>• Interface cable (2 meters long)</li> </ul>
<b>PS-5V/1.1A</b>	<ul style="list-style-type: none"> <li>• Power Supply</li> </ul>

The Beam Splitter gives you more flexibility to measure more applications at the same time!



Product Release Note Beam Splitter Combiner