



„Eye-safe“ 1.54  $\mu\text{m}$  ns laser

## KAUKAS 2



### FEATURES

Compact robust design  
High energy per pulse  $>2$  mJ  
OEM version available

### APPLICATIONS

LIDAR and Laser Ranging  
LIBS  
Metrology and instrumentation

**Laser specifications:**

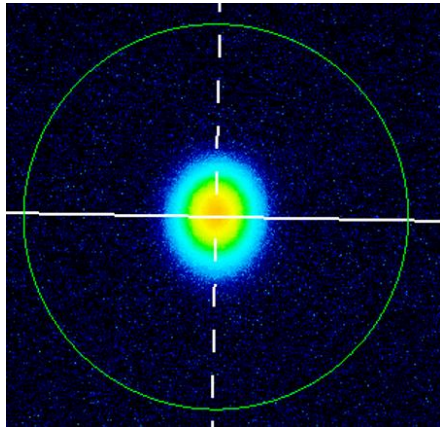
Operating mode	Pulsed
Pulse duration	<11 ns
Repetition rate	SS-1 Hz
Wavelength	1534 nm
Beam divergence, full angle	< 4.5 mRad
Beam profile	TEM <sub>00</sub>
Average output energy (-20...+60C°) @1 Hz	>2 mJ
Energy stability Standard Deviation (-20..+60C°) @1Hz	<3 %
Beam diameter at exit window	<1 mm
Beam ellipticity	>0.8
Storage temperature	-40 - +70 °C
Shock resistance test	30 g/6 ms
Vibration resistance test	According to MIL-810G-STD

**Physical dimensions:**

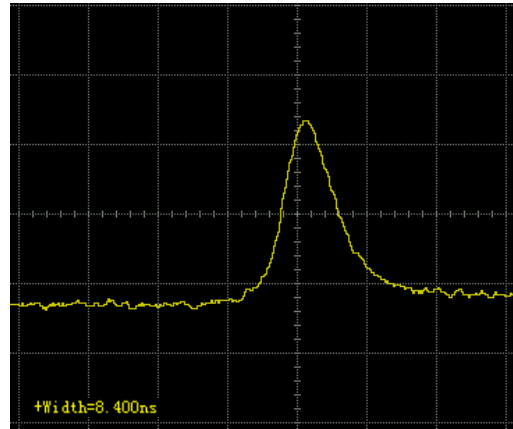
Laser module dimensions	61 x 33 x 29.5 mm (L x W x H)
Laser driver dimensions	124 x 78 x 43 mm (L x W x H)
Power supply dimensions	245 x 105 x 65 mm (L x W x H)

**Utility requirements:**

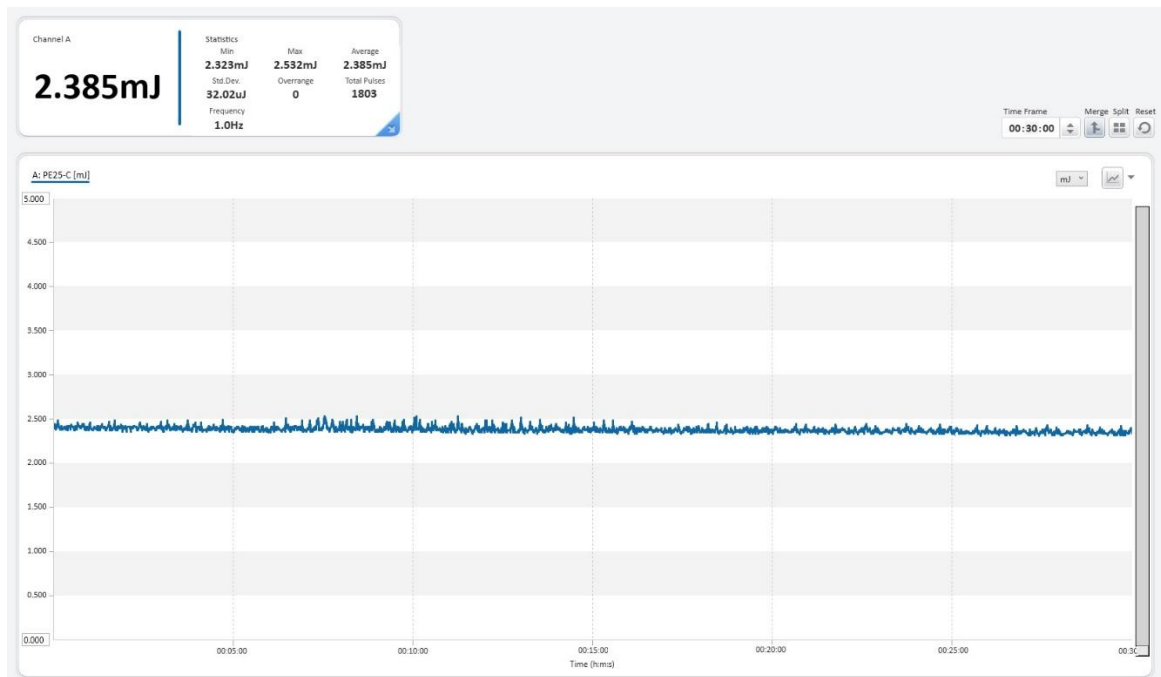
Pump current	100.0 A
Pump duration (-20°C...60°C)	1.8...3 ms
Operating environment temperature	-20 ... +60 °C
Cooling	Passive air cooling



Beam profile



Pulse duration

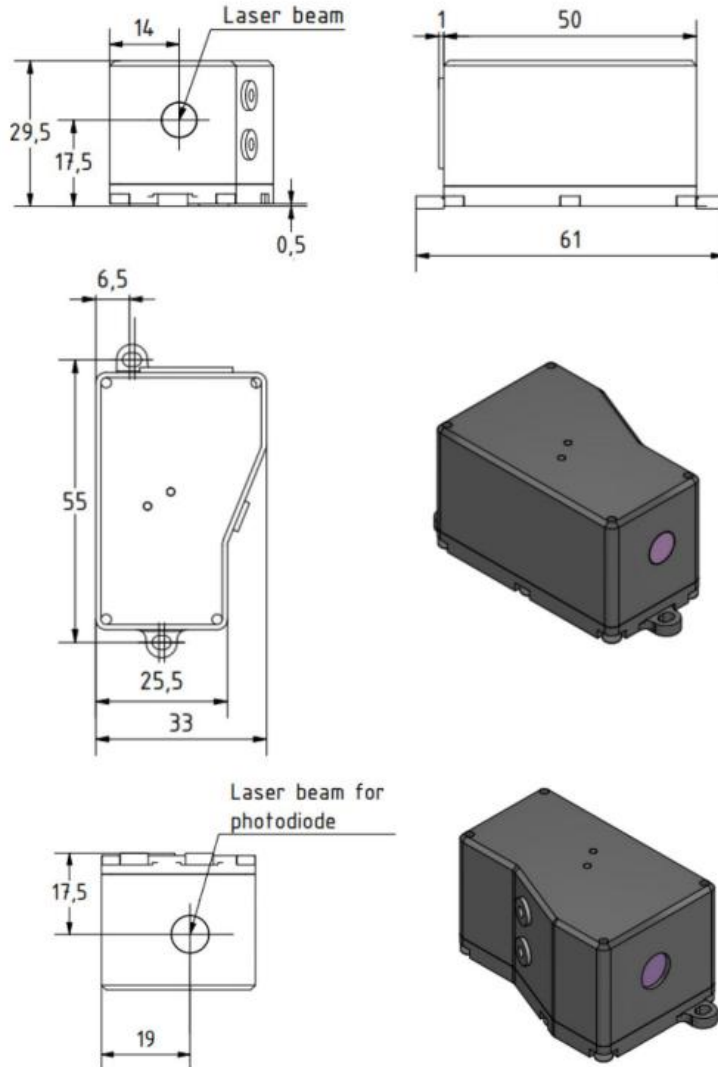


Energy stability @ 1Hz

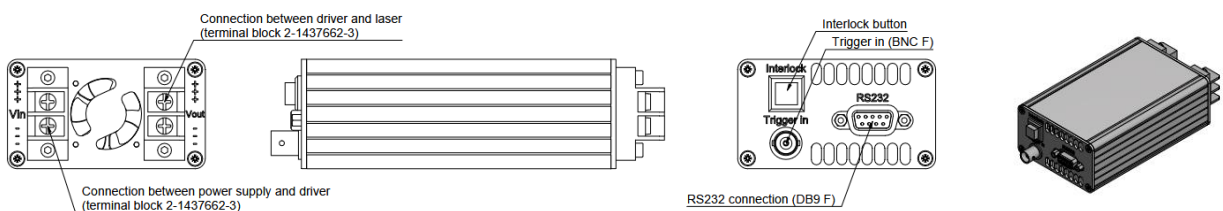


# Drawings

Laser head:



Laser driver:



[www.phototechnica.co.jp](http://www.phototechnica.co.jp)

フォトテクニカ株式会社

UAB Optogama  
 Mokslininkų str. 6B  
 LT-08412, Vilnius, Lithuania  
 sales@optogama.com

Tel.: +370 5 219 4884  
 Fax: +370 5 217 4883  
 Company code: 304023355  
 VAT ID LT100009337919

〒336-0017 埼玉県さいたま市南区南浦和 2-18-2  
 TEL:048-871-0067 FAX:048-871-0068  
 e-mail:voc@phototechnica.co.jp

Bank details:  
 IBAN: LT88 7044 0600 0802 0123 with AB SEB  
 Bank code 70440, Konstitucijos ave. 24  
 LT-08105 Vilnius, Lithuania, SWIFT: CBVI LT 2X