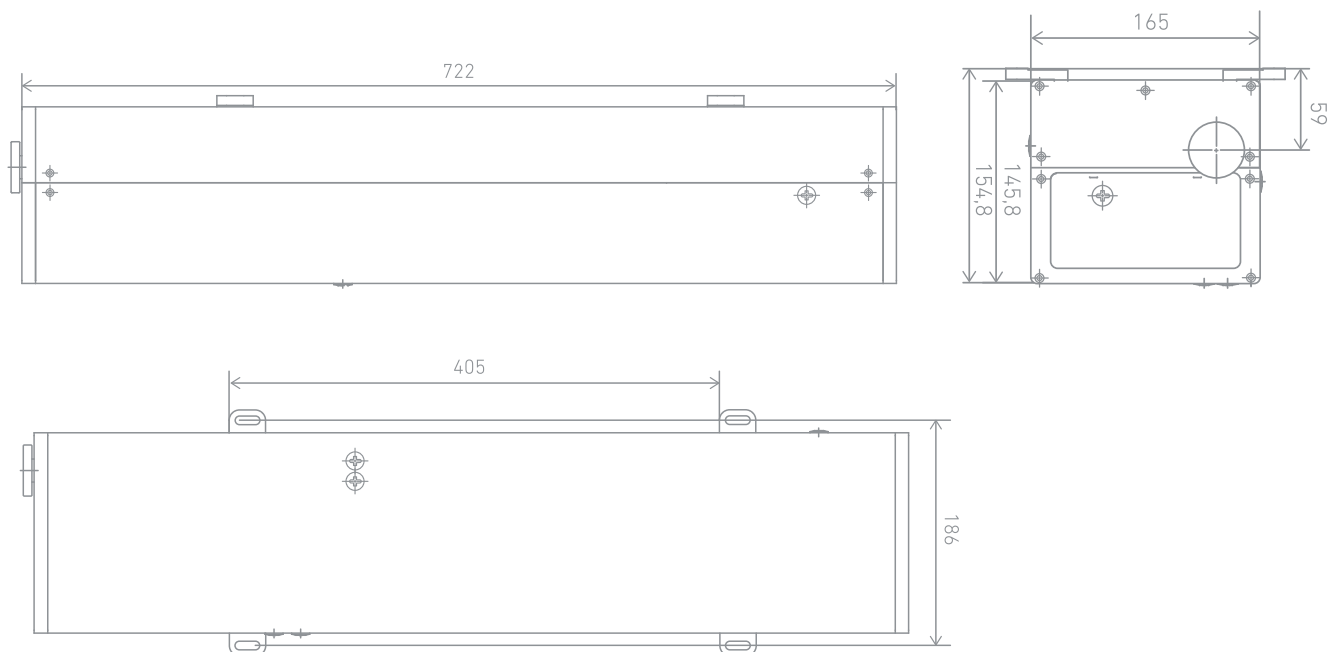


Diode pumped actively q-switched lasers

FEATURES	APPLICATIONS
Cost-effective Simple and robust design OEM version available	DIAMOND processing Micromachining LIBS



Diode pumped actively q-switched lasers

MODEL	OWL1064	OWL532
Wavelength	1064 nm	532 nm
Pulse repetition rate	1-10 kHz	1-10 kHz
Pulse duration	< 80 ns@8 kHz;	< 60 ns@8 kHz;
Pulse energy	>2,5 mJ@10 kHz	>2 mJ@8 kHz
Average output power	>25 W@10 kHz	>16 W@8 kHz
Power stability, RMS	<3% (10 kHz)	
Cooling	Air / Water	
Beam quality	$M^2 < 1.5$, TEM_{00}	
Beam divergence	<1,8 mrad	
Output polarization	vertical, contrast >100:1	
Laser head size	732 x 190 x 156 mm	
Applications	Material Processing & Micromachining LIDAR & Laser Ranging LIBS	