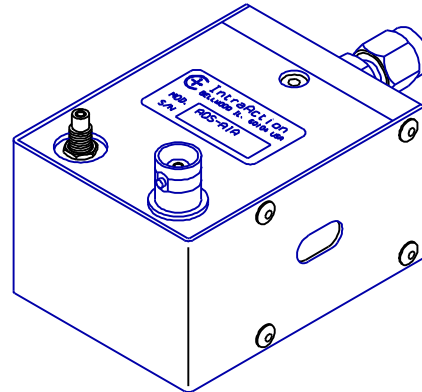


**MODEL AQS-A1 SERIES
ACOUSTO-OPTIC Q-SWITCH**

- Cavity Loss Modulation
- High Optical Power Capability
- High Reliability
- Excellent Temp. Stability



SPECIFICATIONS

Optical Wavelength ¹	1.06 : m
Anti-reflection Coating	Reflectance < 0.05 percent
Optical Power Capability	500 Mwatts/cm ²
Optical Rise Time	110 nsec/mm optical beam diameter
Static Optical Insertion Loss	0.3 percent
Optimum Polarization ⁴	Perpendicular to mounting surface
Input Impedance / VSWR	50 ohms/1.25
RF Connector	BNC
Heat Exchange	Water cooled 250 ml/min.
Size (less connectors)	2.73 D x 1.50 H x 2.16 W inches 6.94 D x 3.81 H x 5.49 W cm

MODEL	AQS-242A1A AQS-272A1A	AQS-244A1A AQS-274A1A	AQS-245A1A AQS-275A1A	<u>AQS-504A1A</u>
Center Frequency ²	24 MHz 27.12 MHz	24 MHz 27.12 MHz	24 MHz 27.12 MHz	50 MHz
Beam Separation	4.3 mrad 4.8 mrad	4.3 mrad 4.8 mrad	4.3 mrad 4.8 mrad	8.9 mrad
Active Aperture ³	2 x 12 mm	4 x 12 mm	5 x 12 mm	4 x 12 mm
Loss Efficiency	40 percent	40 percent	40 percent	40 percent
RF Drive Power	5 watts ⁴ 20 watts ⁵	10 watts ⁴ 40 watts ⁵	12 watts ⁴ 50 watts ⁵	15 watts ⁴

¹ Other wavelengths are available.

² Other frequencies are available.

³ Active aperture heights to 10 mm are available.

⁴ Vertical polarization

⁵ Random polarization