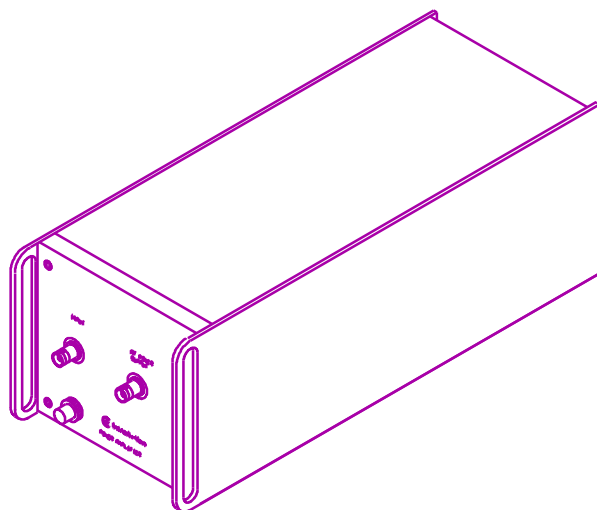


MODEL PA-8 SERIES HIGH POWER RF POWER AMPLIFIER

DESCRIPTION

The Model PA-8 Series Amplifiers are linear class AB broadband RF power amplifiers capable of from 10 to 100 watts power output over the frequency range of 5 MHz to 120 MHz. The amplifier includes the power supply, RFI line filter, line switch, and interlock circuit. It can be used to increase the RF power capability of laboratory signal generators, sweep generators, frequency synthesizers, and other signal sources. The Model PA-8 Series Amplifiers can also be used to drive acousto-optic modulators, frequency shifters, deflectors, and mode lockers. It can also be used for antenna and component testing, for line drivers in signal distribution networks, and for RFI/EMI testing. The fault/interlock circuit will latch the power supply off, when an open circuit condition is present at the interlock input BNC, and can be connected to the thermal switch of a high power acousto-optic device or in a normally closed interlock circuit.



SPECIFICATIONS

Operation	Class AB
Power Gain	52 dB minimum
Harmonic Distortion	-20 dBc at maximum output
Intermodulation Distortion	IM products -25 dBc
Input Impedance	50 ohms, VSWR 1.5:1 max.
Output Impedance	50 ohms, VSWR 2.0:1 max.
Noise Figure	8 dB typical
Mismatch Tolerance	100 percent
RF Connectors	BNC
Primary Power	115/230 VAC, 50/60 Hz
Flatness	1 dB at rated output
Size	12.5 D x 5.0 W x 5.5 H inches 31.8 D x 5.1 W x 5.5 H cm

MODEL	<u>PA-20100-8</u>	<u>PA-4030-8</u>	<u>PA-4050-8</u>	<u>PA-10025-8</u>
Frequency Range	5 – 30 MHz	20 – 60 MHz	20 – 60 MHz	80 – 120 MHz
Output Power Capability	100 watts	30 watts	50 watts	25 watts

05991