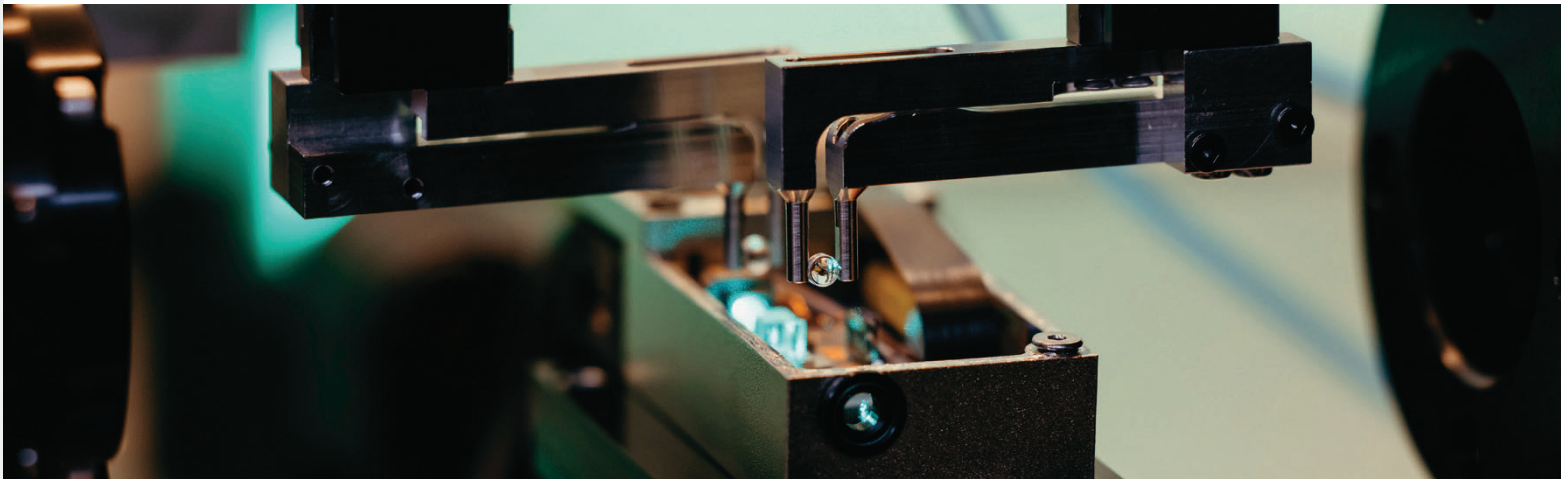


Nanosecond Pulsed Lasers

The MatchBox Series includes several variants of pulsed lasers. Matchbox lasers show that small dimensions and high performance are not mutually exclusive.



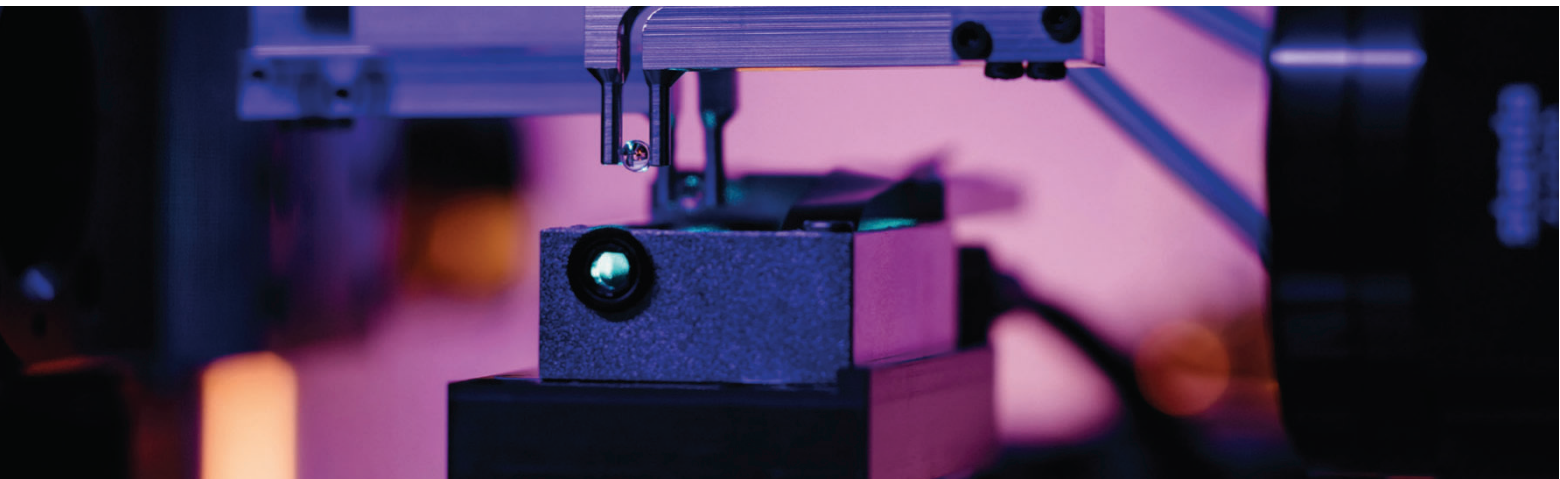
Advantages

- Same size and a interface as of CW MatchBox lasers
- High pulse energy
- High average power
- Superb pulse-to-pulse stability in SLM operation

Nanosecond Pulsed Lasers

μ Flash laser

μ Flash laser is an OEM- dedicated platform, without included electronics for extremely compact and powerful LiDAR and range finding applications.



Applications

LiDAR

Range Finding

LIBS

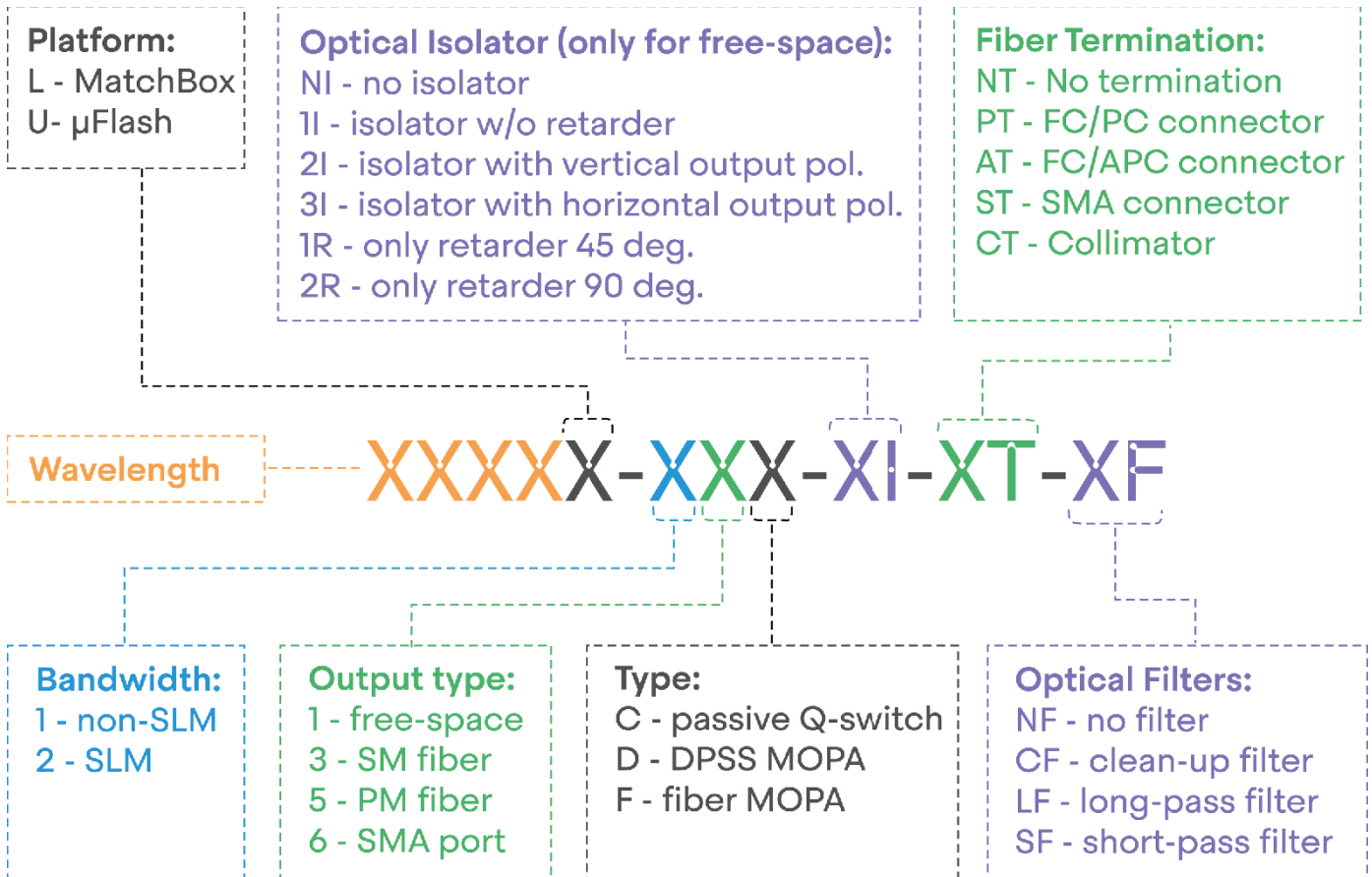
Seeding

Marking

Plasma science

Photoacoustics

Part numbers of pulsed lasers



Specifications

Part Number	Wavelength, nm	Spectral line-width FWHM, nm*	Pulse duration, ns	Pulse Energy, μ J	Repetition rate, kHz	Peak power, kW	Pulse-to-pulse stability, %*
1030L-11C	1029.5	0.7	1.5	100	2-3	67	10
1030L-21C	1029.5	0.0008	2.4	30	10	12	2
1030U-11C	1029.5	0.7	1.3	150	0.1	115	20

* Typical performance (full specification available at <https://integratedoptics.com/products/nanosecond-lasers>)

- Pulse energy and repetition rate can be adjusted according to customers requirements.
- Repetition rate changes upon changing the average output power, the pulse energy remains constant.
- Triggering on request



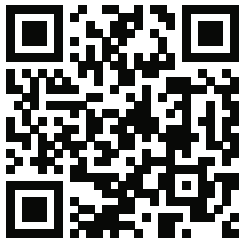
PHOTO www.phototechnica.co.jp
TECHNICA フォトテクニカ株式会社

〒336-0017 埼玉県さいたま市南区南浦和 2-18-2
 TEL:048-871-0067 FAX:048-871-0068
 e-mail:voc@phototechnica.co.jp



Headquarters:
 Integrated Optics, UAB
 Trinapolio str. 11
 08338 Vilnius, Lithuania
 +370 677 84594
 sales@integratedoptics.com

**Germany/Austria/
 Switzerland:**
 IO Integrated Optics GmbH
 Schwaighofstr. 86a
 Landsberg am Lech
 86899 Germany
 +49 152 09984643
 dach@integratedoptics.com



integratedoptics.com
 Made in Lithuania (EU)

MatchBox® and Integrated Optics® are trademarks of Integrated Optics, UAB.
 © Copyright. 2025

