

External Harmonic Generator

515 nm, 343 nm, 257 nm,
and 206 nm outputs

Simple selection of the active harmonic

Simultaneous or switchable outputs

Standalone harmonics module
for CARBIDE, PHAROS and FLINT



HIRO for CARBIDE or PHAROS

| Model | HIRO | HIRO-HP | HIRO-HE |
|--|------------------------|--|---------------------|
| Maximum pump power | 20 W | 80 W | |
| Pump pulse energy | 8 – 400 μ J | 200 – 1000 μ J | 1000 – 4000 μ J |
| Available outputs ^{1) 2)} | Up to 4H ³⁾ | Up to 5H | |
| Conversion efficiency ^{1) 4)} | | > 50% (2H) > 25% (3H) > 10% (4H) ⁵⁾ > 5% (5H) ^{6) 7)} | |
| Polarization ⁶⁾ | | Linear, horizontal (2H, 5H) Linear, vertical (3H, 4H) | |

PHYSICAL DIMENSIONS

| | | |
|------------------------|--------------------|--------------------|
| Dimensions (L x W x H) | 487 x 176 x 180 mm | 552 x 320 x 170 mm |
|------------------------|--------------------|--------------------|

¹⁾ For harmonic combinations and simultaneous outputs, contact sales@lightcon.com.

²⁾ Residual fundamental output available upon request.

³⁾ White light continuum output available upon request.

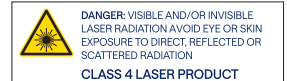
⁴⁾ Percentage of pump power, for repetition rate of up to 1 MHz.

⁵⁾ Maximum output power of 1 W.

⁶⁾ Maximum output power of 150 mW. Only for HIRO-HP/HE.

⁷⁾ > 1% when pumped with PHAROS-UP.

⁸⁾ Different polarization is available upon request.



HIRO for FLINT

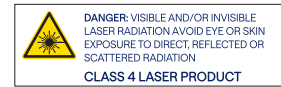
| | |
|-------------------------------------|--------------------------------------|
| Available harmonic | Up to 4H |
| Maximum pump power ¹⁾ | 4 W |
| Conversion efficiency ²⁾ | > 35% (2H) > 5% (3H) > 1% (4H) |

PHYSICAL DIMENSIONS

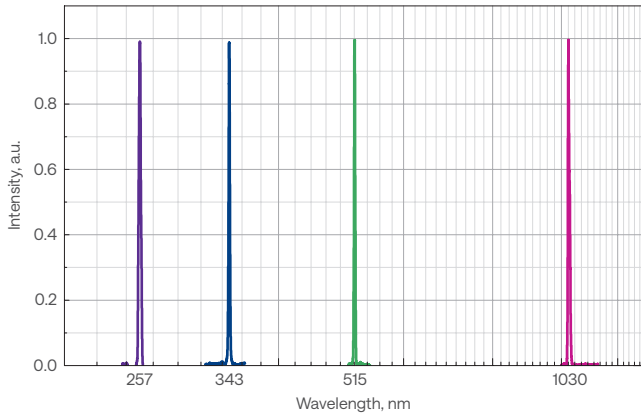
| | |
|------------------------|--------------------|
| Dimensions (L × W × H) | 487 × 176 × 180 mm |
|------------------------|--------------------|

¹⁾ For high power 2H, see HG for FLINT (page 23).

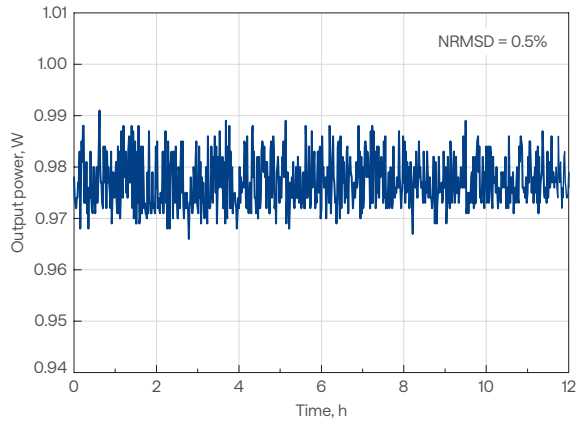
²⁾ For pump power of > 500 mW.



HIRO outputs

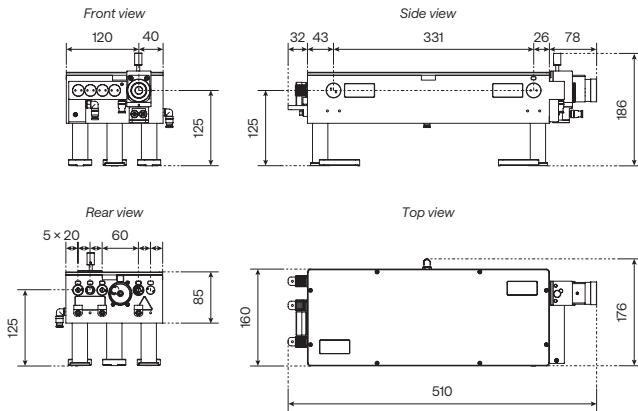


4H output power stability

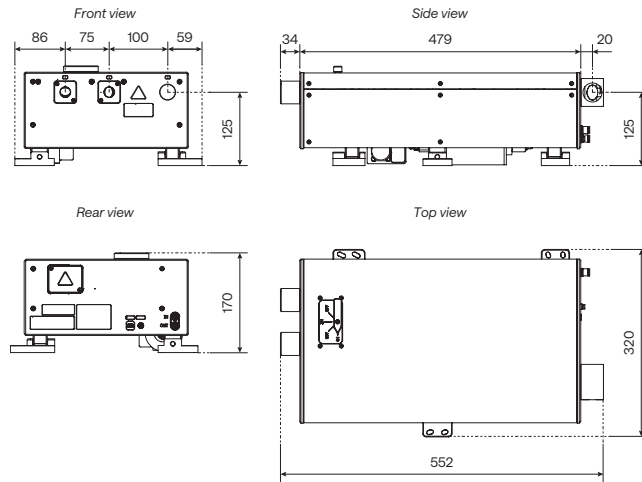


Drawings

HIRO



HIRO-HP/HE




www.phototechnica.co.jp
 フォトテクニカ株式会社
 〒336-0017 埼玉県さいたま市南区南浦和 2-18-2
 TEL:048-871-0067 FAX:048-871-0068
 e-mail:voc@phototechnica.co.jp

